

Supercored 81MAG

FLUX CORED ARC WELDING CONSUMABLE
FOR WELDING OF LOW-TEMPERATURE
SERVICE STEEL

2024.12

HYUNDAI WELDING CO., LTD.



Supercored 81MAG

❖ Specification

AWS A5.29

E81T1-Ni1M H4

(AWS A5.29M

E551T1-Ni1M H4)

EN ISO 17632-A

T 50 6 1Ni P M21 2 H5

❖ Applications

Supercored 81MAG meet NACE requirements. It can be used for oil and gas construction, pipe, and offshore stations.

❖ Characteristics on Usage

Supercored 81MAG is a titania-type flux cored wire to be used with Ar+CO₂ gas mixture shielding. It provide excellent notch toughness at low temperature ,not only as-welded but also stress relieved state.

❖ Note on Usage

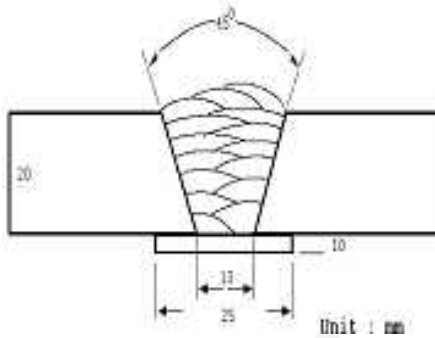
1. For preheating guidelines, please refer to your local standards and codes relative to your best practices.
2. Use Ar+20~25% CO₂ gas.



Mechanical Properties & Chemical Composition of All Weld Metal

❖ Welding Conditions

Method by AWS Spec.



[Joint Preparation & Layer Details]

Diameter(mm)	: 1.2mm(0.045in)
Shielding Gas	: Ar+20%CO ₂
Welding Position	: 1G
Amp./ Volt.	: 270~280 /29~30
Stick-Out(mm)	: 20~25 (0.79~0.98in)
Pre-Heat(°C)	: R.T .
Interpass Temp.(°C)	: 150±15 (302±59 °F)

❖ Mechanical Properties of all weld metal

Consumable	Tensile Test			CVN Impact Test J(ft-lbs)		Remark
	YS Mpa(lbs/in ²)	TS Mpa((lbs/in ²)	EL(%)	-30°C (-20°F)	-60°C (-76°F)	
Supercored 81MAG	550 (80,000)	590 (86,000)	26.0	100(74)	60(44)	As welded
	510 (74,000)	570 (83,000)	28.0	90(66) at -46°C (-50°F)		PWHT (620°C ×2hr)
AWS A5.29 E81T1-Ni1M H4	≥ 470 (68,000)	550~690 (80,000~100,000)	≥ 19	≥ 27(20) at -30°C (-20°F)		As welded

❖ Chemical Analysis of all weld metal(wt%)

Consumable	C	Si	Mn	P	S	Ni
Supercored 81MAG	0.05	0.28	1.20	0.008	0.012	0.93
AWS A5.29 E81T1-Ni1M H4	≤ 0.12	≤ 0.80	≤ 1.75	≤ 0.03	≤ 0.03	0.8~1.1

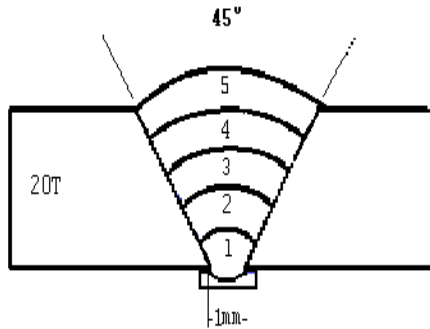
This information is provided solely for the purpose of confirming product conformance with applicable standards. The serviceability of a product or structure utilizing this type of information is and must be the sole responsibility of the builder/user. Many variables beyond the control of HYUNDAI WELDING CO., LTD. affect the results obtained in applying this type of information. These variables include, but are not limited to, welding procedure, shielding gas, plate chemistry and temperature, weldment design, fabrication methods and service requirements.



Mechanical Properties & Chemical Composition of All Weld Metal

❖ Welding Conditions

Method by AWS Spec.



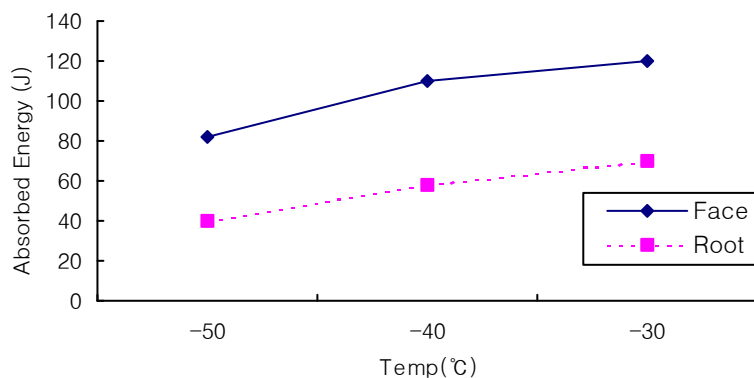
[Joint Preparation & Layer Details]

Diameter(mm)	: 1.2mm(0.045in)
Shielding Gas	: Ar+20% CO ₂
Welding Position	: 3G (v-up)
Amp./ Volt.	: 1 pass : 180 /25 2pass~: 210~220/25~26
Stick-Out(mm)	: 20~25
Pre-Heat(°C)	: R.T .
Interpass Temp.(°C)	: 150±15 (302±59 °F)
Polarity	: DC(+)

❖ Mechanical Properties of all weld metal

		CVN Impact Test J(ft·lbs)	
		-50 °C (-58 °F)	-40 °C (-40 °F)
Location of specimen	Face	80(59)	100(74)
	Root	40(30)	60(44)

Charpy v-notch test



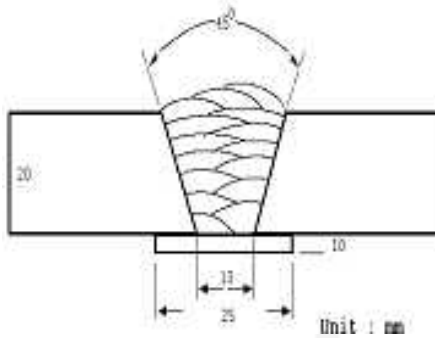
This information is provided solely for the purpose of confirming product conformance with applicable standards. The serviceability of a product or structure utilizing this type of information is and must be the sole responsibility of the builder/user. Many variables beyond the control of HYUNDAI WELDING CO., LTD. affect the results obtained in applying this type of information. These variables include, but are not limited to, welding procedure, shielding gas, plate chemistry and temperature, weldment design, fabrication methods and service requirements.



Mechanical Properties & Chemical Composition of All Weld Metal

❖ Welding Conditions

Method by AWS Spec.



[Joint Preparation & Layer Details]

Diameter(mm)	: 1.4mm(0.052in)
Shielding Gas	: Ar+20%CO ₂
Welding Position	: 1G
Amp./ Volt.	: 300~315 /29~30
Stick-Out(mm)	: 20~25 (0.79~0.98in)
Pre-Heat(°C)	: R.T .
Interpass Temp.(°C)	: 150±15 (302±59 °F)

❖ Mechanical Properties of all weld metal

Consumable	Tensile Test			CVN Impact Test J(ft·lbs)		Remark
	YS Mpa(lbs/in ²)	TS Mpa((lbs/in ²)	EL(%)	-30℃ (-20°F)	-60℃ (-76°F)	
Supercored 81MAG	540 (78,000)	585 (85,000)	27.6	90(66)	60(44)	As welded
	500 (73,000)	565 (82,000)	28.4	84(62) at -46℃ (-50°F)		PWHT (620℃ ×2hr)
AWS A5.29 E81T1-Ni1M H4	≥470 (68,000)	550~690 (80,000~100,000)	≥ 19	≥27(20) at -30℃ (-20°F)		As welded

❖ Chemical Analysis of all weld metal(wt%)

Consumable	C	Si	Mn	P	S	Ni
Supercored 81MAG	0.05	0.29	1.19	0.007	0.009	0.89
AWS A5.29 E81T1-Ni1M H4	≤0.12	≤0.80	≤1.75	≤0.03	≤0.03	0.8~1.1

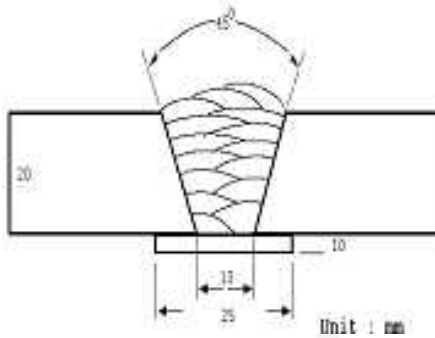
This information is provided solely for the purpose of confirming product conformance with applicable standards. The serviceability of a product or structure utilizing this type of information is and must be the sole responsibility of the builder/user. Many variables beyond the control of HYUNDAI WELDING CO., LTD. affect the results obtained in applying this type of information. These variables include, but are not limited to, welding procedure, shielding gas, plate chemistry and temperature, weldment design, fabrication methods and service requirements.



Mechanical Properties & Chemical Composition of All Weld Metal

❖ Welding Conditions

Method by AWS Spec.



[Joint Preparation & Layer Details]

Diameter(mm)	: 1.6mm(1/16 in)
Shielding Gas	: Ar+20%CO ₂
Welding Position	: 1G
Amp./ Volt.	: 320~330 /29~30
Stick-Out(mm)	: 20~25 (0.79~0.98in)
Pre-Heat(°C)	: R.T .
Interpass Temp.(°C)	: 150±15 (302±59 °F)

❖ Mechanical Properties of all weld metal

Consumable	Tensile Test			CVN Impact Test J(ft·lbs)		Remark
	YS Mpa(lbs/in ²)	TS Mpa((lbs/in ²)	EL(%)	-30℃ (-20°F)	-60℃ (-76°F)	
Supercored 81MAG	540 (78,000)	580 (84,000)	27.8	80(59)	50(37)	As welded
	490 (71,000)	560 (81,000)	28.0	70(52) at -46℃ (-50°F)		PWHT (620℃ ×2hr)
AWS A5.29 E81T1-Ni1M H4	≥470 (68,000)	550~690 (80,000~100,000)	≥ 19	≥27(20) at -30℃ (-20°F)		As welded

❖ Chemical Analysis of all weld metal(wt%)

Consumable	C	Si	Mn	P	S	Ni
Supercored 81MAG	0.05	0.33	1.22	0.009	0.007	0.91
AWS A5.29 E81T1-Ni1M H4	≤0.12	≤0.80	≤1.75	≤0.03	≤0.03	0.8~1.1

This information is provided solely for the purpose of confirming product conformance with applicable standards. The serviceability of a product or structure utilizing this type of information is and must be the sole responsibility of the builder/user. Many variables beyond the control of HYUNDAI WELDING CO., LTD. affect the results obtained in applying this type of information. These variables include, but are not limited to, welding procedure, shielding gas, plate chemistry and temperature, weldment design, fabrication methods and service requirements.



Welding Efficiency

❖ Deposition Rate & Efficiency

Consumable (size)	Welding Conditions		Wire Feed Speed m/min (in/min)	Deposition Efficiency(%)	Deposition Rate kg/hr(lb/hr)
	Amp.(A)	Volt.(V)			
1.2mm (0.045in)	200	26	10.2(400)	84~86	3.2(7.0)
	250	28	13.3(525)	85~87	4.4(9.7)
	300	32	15.3(600)	86~88	5.5(12.1)
1.4mm (0.052in)	250	28	7.6 (300)	85~87	3.6(7.9)
	300	32	10.2 (400)	86~88	4.7(10.4)
	330	36	12.8 (500)	87~89	6.3(13.9)
1.6mm (1/16 in)	280	31	6.4 (250)	86~88	4.0(8.8)
	330	33	7.6 (300)	86~89	4.6(10.1)
	350	34	8.1 (320)	87~89	5.6(12.3)
	400	38	9.2 (360)	88~90	6.5(14.3)
Remark				Deposition efficiency =(Deposited metal weight/ Wire weight used)×100	Deposition rate =(Deposited metal weight/ Welding time, min.)×60

* Shielding Gas : Ar+20%CO₂



Diffusible Hydrogen Content

❖ Welding Conditions

Diameter(mm)	: 1.2mm(0.045in)	Amps(A) / Volts(V)	: 270 / 29
Shielding Gas	: Ar+20%CO ₂	Stick-Out(mm)	: 20mm(0.79in)
Flow Rate(ℓ /min.)	: 20	Welding Speed	: 35 cm/min (13.8 in/min)
Welding Position	: 1G	Current Type & Polarity	: DC(+)

❖ Hydrogen Analysis Using Gas Chromatography Method

Hydrogen Evolution Time	: 72 hrs
Evolution Temp.	: 45 °C(113°F)
Barometric Pressure	: 780 mm-Hg

❖ Result(ml/100g Weld Metal)

X1	X2	X3	X4
3.4	3.5	3.3	3.4

Average Hydrogen Content 3.4 ml / 100g Weld Metal



Supercored 81MAG

❖ Proper Current Range

Consumable	Shielding Gas	Welding Position	Current
1.2mm (0.045in)	Ar+20%CO ₂	Flat	150~300 Amp
		V-up Over head	150~240 Amp
		V-down	150~300 Amp
1.4mm (0.052in)	Ar+20%CO ₂	Flat	150~320 Amp
		V-up Over head	150~270 Amp
		V-down	150~320 Amp
1.6mm (1/16 in)	Ar+20%CO ₂	Flat	150~360 Amp
		V-up Over head	150~320 Amp
		V-down	150~360 Amp

❖ AUTHORIZED APPROVAL DETAILS

Consumable	Welding position	Register of shipping & Size(mm)			
		ABS	LR	BV	DNV
Supercored 81MAG	All V-down	5Y400SA H5 1.2 (0.045in)	5Y40S H5 1.2 (0.045in)	SA5Y40M HHH 1.2 (0.045in)	VY40MS(H5) 1.2 (0.045in)

❖ F No. & A No.

F No	A No
6	10

This information is provided solely for the purpose of confirming product conformance with applicable standards. The serviceability of a product or structure utilizing this type of information is and must be the sole responsibility of the builder/user. Many variables beyond the control of HYUNDAI WELDING CO., LTD. affect the results obtained in applying this type of information. These variables include, but are not limited to, welding procedure, shielding gas, plate chemistry and temperature, weldment design, fabrication methods and service requirements.